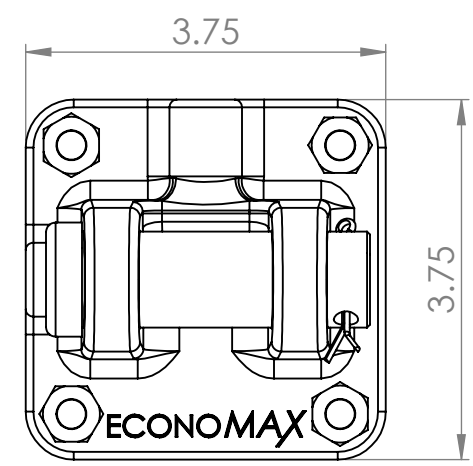
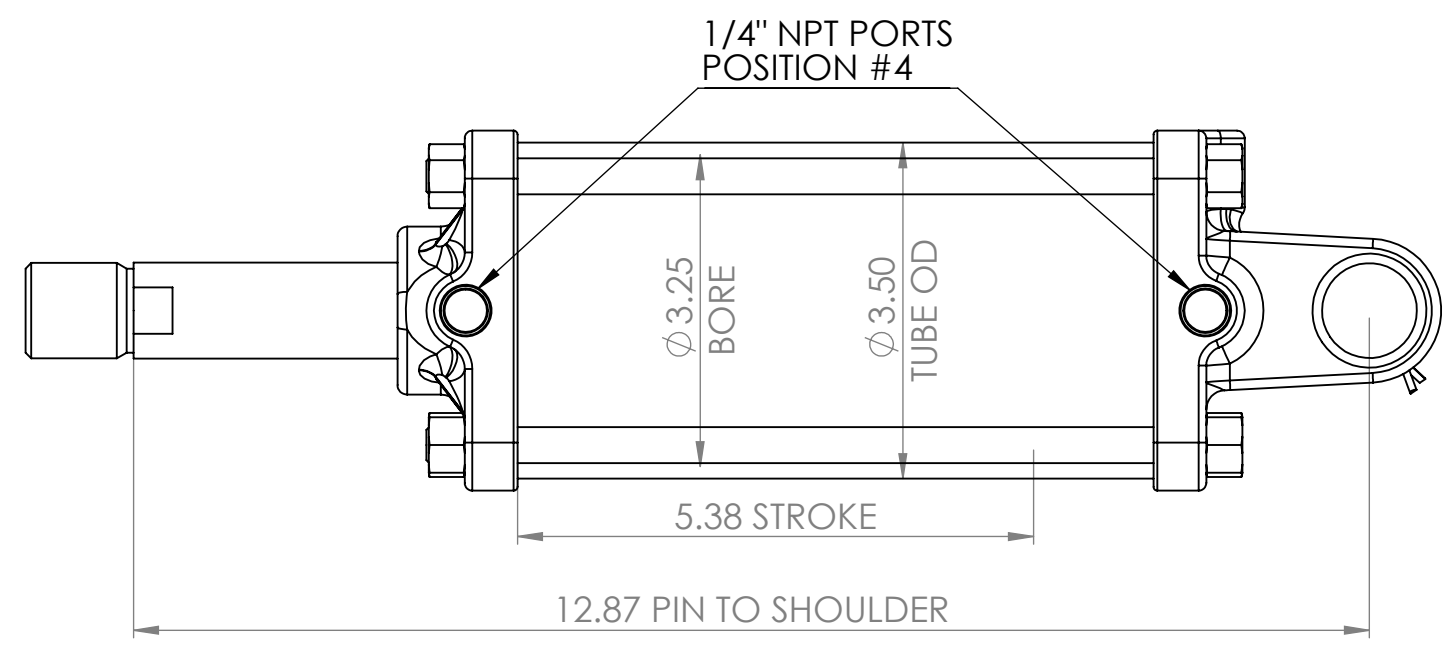
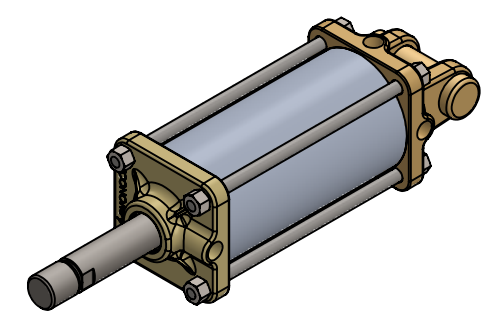
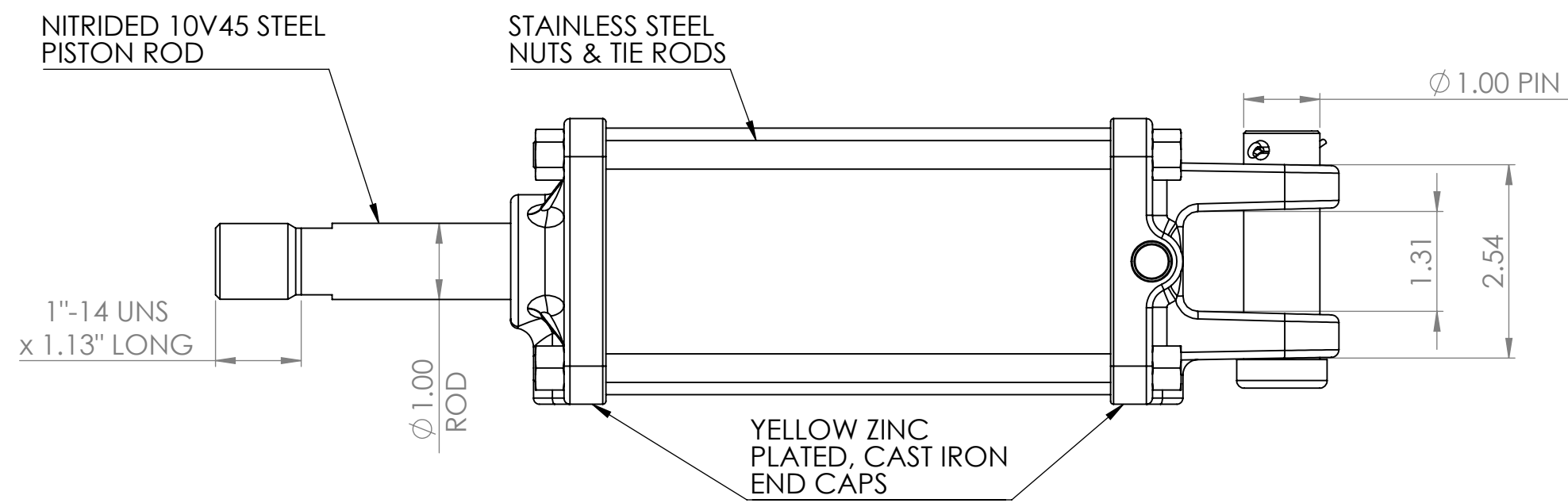


8 7 6 5 4 3 2 1

D
C
B
A

D
C
B
A



ECONOMAX AIR CYLINDER
 3.1/4" BORE X 5.375" STROKE
 1" NITRATED ROD WITH 1-14 MALE ROD THREAD
 1/4 NPT PORTS POSITION 4 BOTH ENDS
 MP1 MOUNT - CAP FIXED CLEVIS C/W 1" PIN
 PIN TO SHOULDER = 12.875"

UNLESS OTHERWISE SPECIFIED:
 DIMENSIONS ARE IN INCHES
 REMOVE BURRS, BREAK SHARP EDGES R.010
 ANGULAR: MACH ± .5 DEGREES
 ONE PLACE DECIMAL ± .02
 TWO PLACE DECIMAL ± .01
 THREE PLACE DECIMAL ± .005
 MACHINED SURFACE FINISH

THIRD ANGLE PROJECTION

MATERIAL _____
 FINISH _____
 DO NOT SCALE DRAWING



PART NUMBER: EA32N0538FN4OS-12.875		
DESCRIPTION: EA32N0538FN4OS-12.875 REPLACES: EA3S053F4N10NBS		
SIZE B	DWG. NO.	REV 0
SCALE: 1:2	WEIGHT: 11.01	SHEET 1 OF 1

8 7 6 5 4 3 2 1