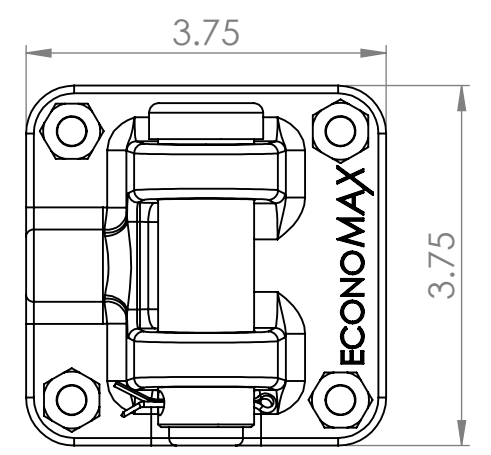
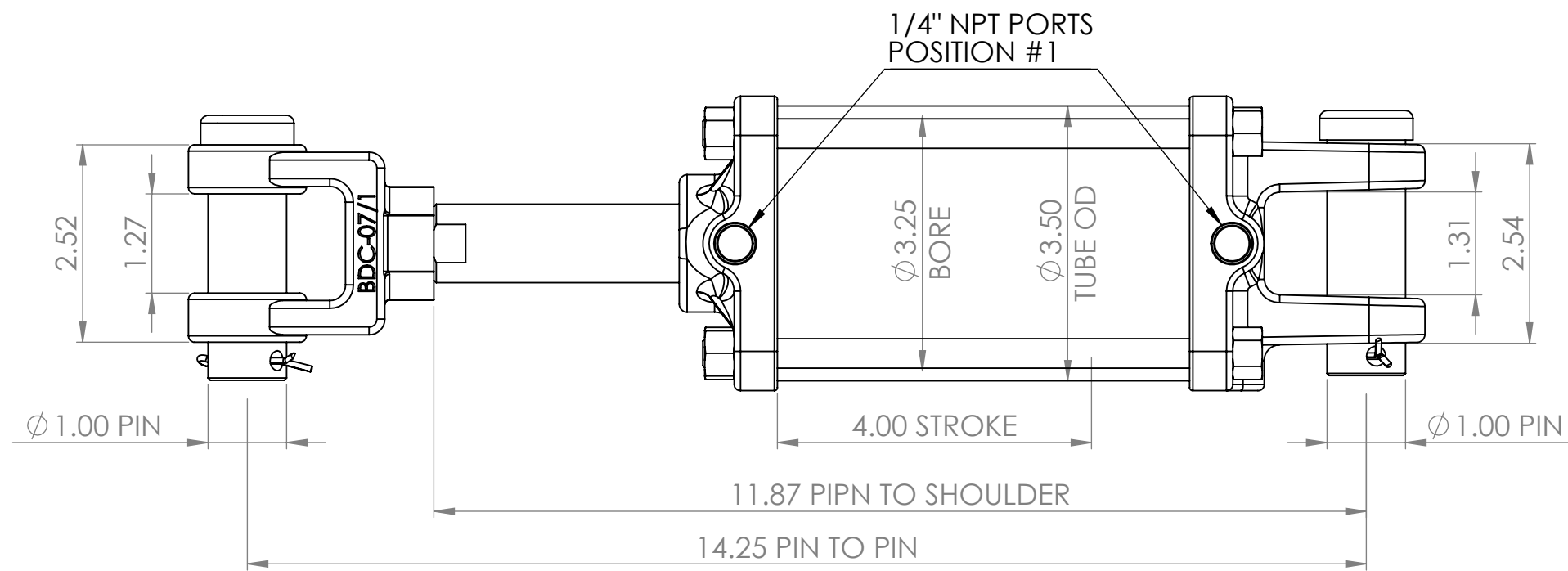
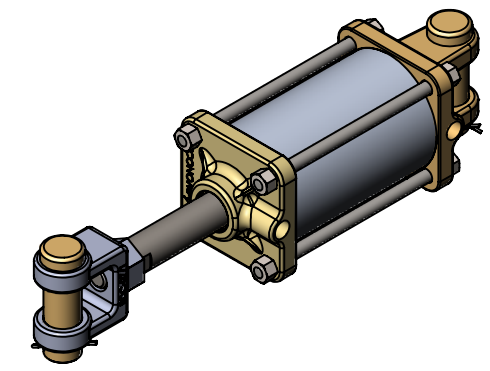
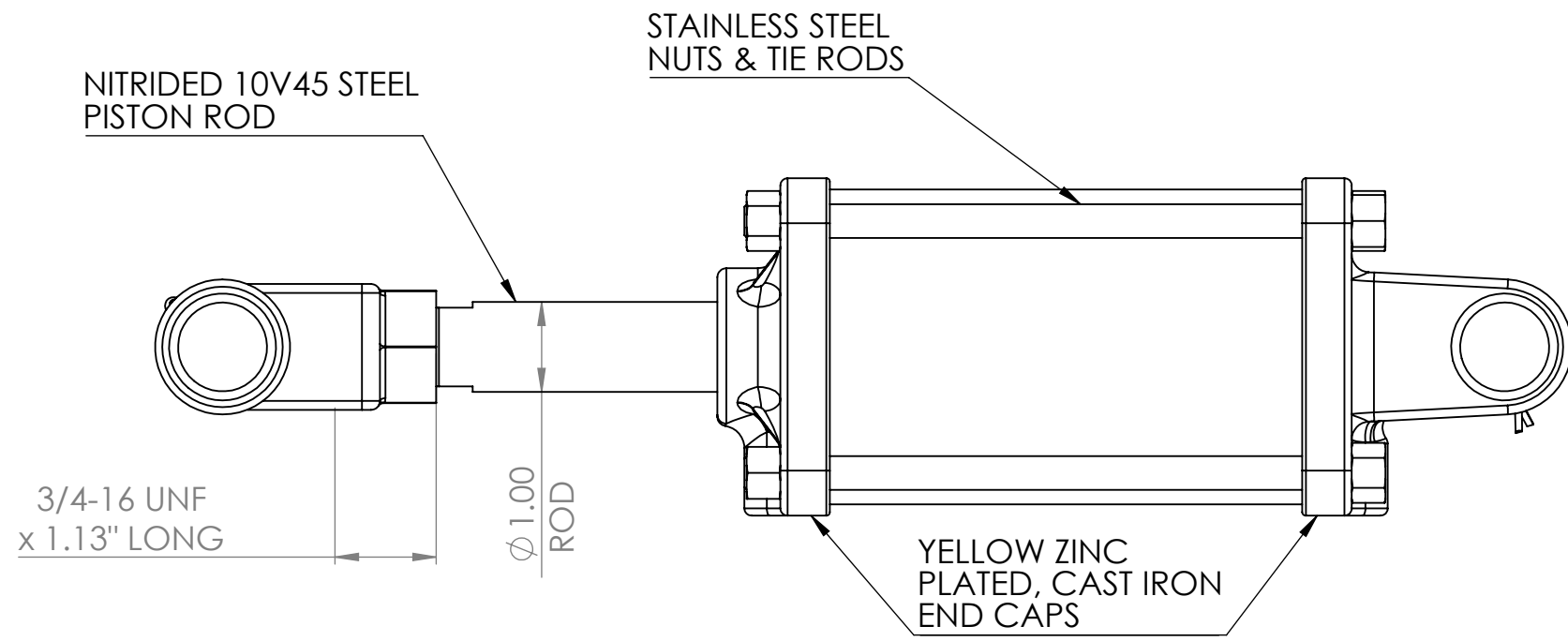


8 7 6 5 4 3 2 1



ECONOMAX AIR CYLINDER
 3-1/4" BORE X 4" STROKE
 1" ROD 3/4-16" MALE THREAD
 BDC-07/1 ROD CLEVIS WITH 1" PIN
 MP1 MOUNT CAP FIXED CLEVIS WITH 1" PIN
 1/4" NPT PORTS POS 1 HEAD 1 CAP

PIN TO PIN = 14.25"
 PIN TO SHOULDER = 11.875"

UNLESS OTHERWISE SPECIFIED:
 DIMENSIONS ARE IN INCHES
 REMOVE BURRS, BREAK SHARP EDGES R.010
 ANGULAR: MACH ± .5 DEGREES
 ONE PLACE DECIMAL ± .02
 TWO PLACE DECIMAL ± .01
 THREE PLACE DECIMAL ± .005
 MACHINED SURFACE FINISH

THIRD ANGLE PROJECTION

MATERIAL	
FINISH	
DO NOT SCALE DRAWING	

PROPRIETARY AND CONFIDENTIAL

THE INFORMATION CONTAINED IN THIS DRAWING IS THE SOLE PROPERTY OF HIGGINSON EQUIPMENT INC. ANY REPRODUCTION IN PART OR AS A WHOLE WITHOUT THE WRITTEN PERMISSION OF HIGGINSON EQUIPMENT INC. IS STRICTLY PROHIBITED

PART NUMBER: EA3S040D1N108NS	
DESCRIPTION: EA3S040D1N108NS	
SIZE B	DWG. NO.
SCALE: 1:2	WEIGHT: 11.22
REV 0	
SHEET 1 OF 1	

8 7 6 5 4 3 2 1