

8 7 6 5 4 3 2 1

D
C
B
A

D
C
B
A

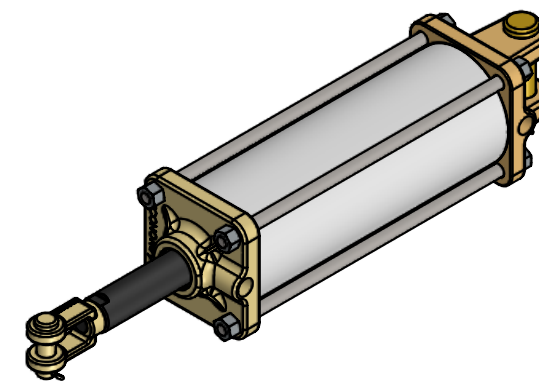
NITRIDED 10V45 STEEL
PISTON ROD

STAINLESS STEEL
NUTS & TIE RODS

5/8-18 UNF
x 0.50" LONG

Ø1.00
ROD

YELLOW ZINC
PLATED, CAST IRON
END CAPS



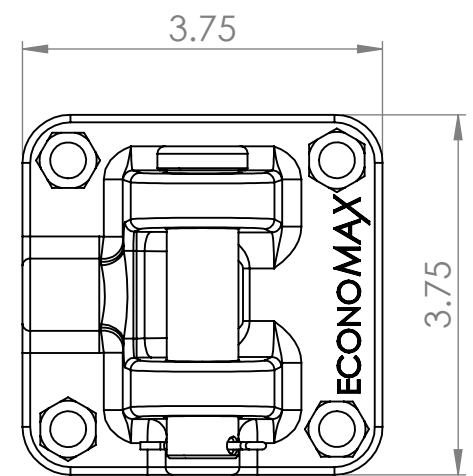
1/4" NPT PORTS
POSITION #1

1.25
0.55

Ø3.25
BORE

Ø3.50
TUBE OD

1.31
2.54



Ø0.50 PIN

8.00 STROKE

Ø0.75 PIN

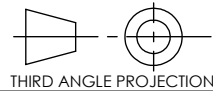
15.75

17.50

ECONOMAX AIR CYLINDER
 3-1/4" BORE X 8" STROKE
 1" NITRATED ROD WITH 5/8-18 MALE ROD THREAD
 C/W BDC-061 CLEVIS & 1/2" PIN
 1/4" NPT PORTS POS 1 NO CUSHIONS
 MP1 MOUNT CAP FIXED CLEVIS 3/4" PIN

PIN TO PIN = 17.5"
 PIN TO SHOULDER = 15.75"

UNLESS OTHERWISE SPECIFIED:
 DIMENSIONS ARE IN INCHES
 REMOVE BURRS, BREAK SHARP EDGES R.010
 ANGULAR: MACH ± .5 DEGREES
 ONE PLACE DECIMAL ± .02
 TWO PLACE DECIMAL ± .01
 THREE PLACE DECIMAL ± .005
 MACHINED SURFACE FINISH



MATERIAL
 FINISH
 DO NOT SCALE DRAWING



PROPRIETARY AND CONFIDENTIAL

THE INFORMATION CONTAINED IN THIS DRAWING IS THE
 SOLE PROPERTY OF HIGGINSON EQUIPMENT INC. ANY
 REPRODUCTION IN PART OR AS A WHOLE WITHOUT THE
 WRITTEN PERMISSION OF HIGGINSON EQUIPMENT INC.
 IS STRICTLY PROHIBITED

PART NUMBER: EA3S080A1N091NS

DESCRIPTION:
EA3S080A1N091NS

SIZE **B** DWG. NO. REV **0**

SCALE: 1:2 WEIGHT: 12.24 SHEET 1 OF 1

8 7 6 5 4 3 2 1