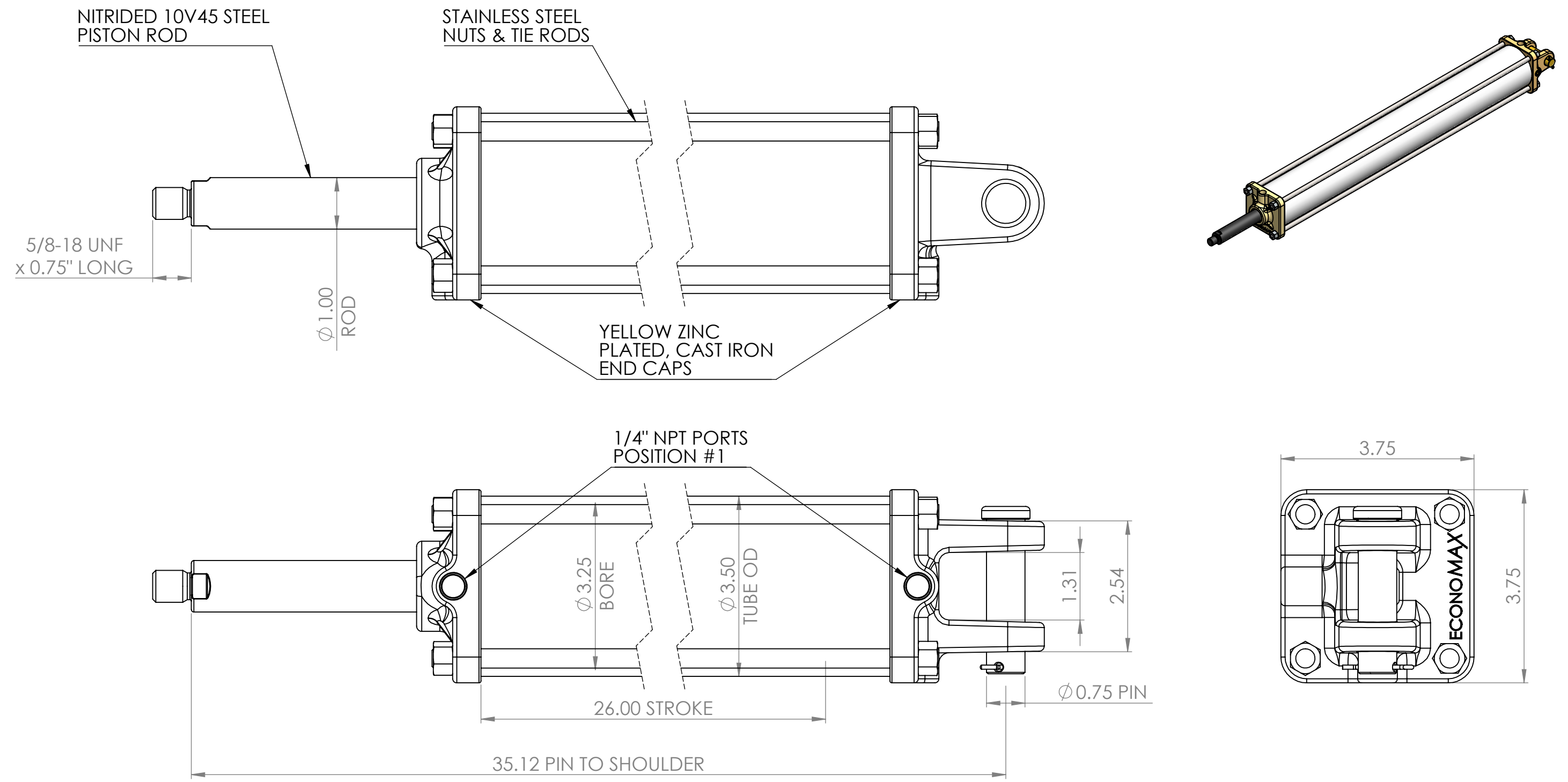


8 7 6 5 4 3 2 1

D
C
B
A

D
C
B
A



ECONOMAX AIR CYLINDER
 3-1/4" BORE X 26" STROKE
 1" NITRIDE ROD WITH 5/8"-18 X 3/4" MALE THD
 NO ROD ATTACHMENTS
 1/4" NPT PORTS POS 1
 NO CUSHIONS
 3/4" MP1 MOUNT -
 CAP FIXED CLEVIS W/ 3/4" PIN
 PIN TO SHOULDER = 35.125"

UNLESS OTHERWISE SPECIFIED:
 DIMENSIONS ARE IN INCHES
 REMOVE BURRS, BREAK SHARP EDGES R.010
 ANGULAR: MACH ± .5 DEGREES
 ONE PLACE DECIMAL ± .02
 TWO PLACE DECIMAL ± .01
 THREE PLACE DECIMAL ± .005
 MACHINED SURFACE FINISH

THIRD ANGLE PROJECTION

MATERIAL _____
 FINISH _____
 DO NOT SCALE DRAWING



PART NUMBER: EA3S260A1N09NNS	
DESCRIPTION: EA3S260A1N09NNS	
SIZE B	DWG. NO. _____
SCALE: 1:2	WEIGHT: 20.90
SHEET 1 OF 1	

8 7 6 5 4 3 2 1