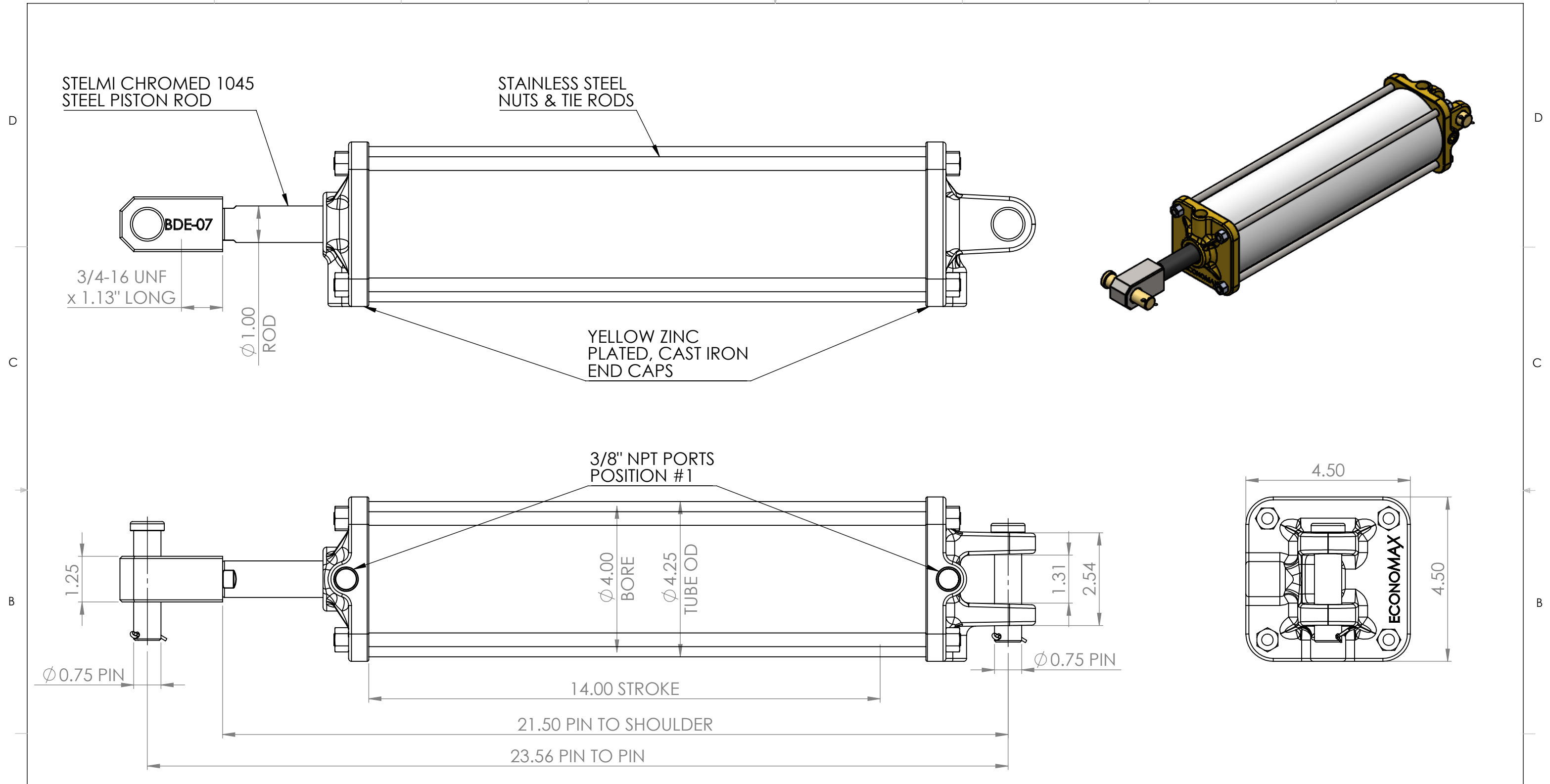


8 7 6 5 4 3 2 1



ECONOMAX AIR CYLINDER
 4" BORE X 14" STROKE
 1" STELMI CHROME SHAFT WITH 3/4"-16 ROD THD
 C/W BDE-07 ROD EYE W/ 3/4" PIN
 3/8" NPT PORTS POS 1
 MP1 MOUNT = CAP FIXED CLEVIS W 3/4" PIN

PIN TO PIN = 23.563"
 PIN/SHOULDER = 21.5"

UNLESS OTHERWISE SPECIFIED:
 DIMENSIONS ARE IN INCHES
 REMOVE BURRS, BREAK SHARP EDGES R.010
 ANGULAR: MACH ± .5 DEGREES
 ONE PLACE DECIMAL ± .02
 TWO PLACE DECIMAL ± .01
 THREE PLACE DECIMAL ± .005
 MACHINED SURFACE FINISH

THIRD ANGLE PROJECTION

MATERIAL	
FINISH	

DO NOT SCALE DRAWING

PROPRIETARY AND CONFIDENTIAL

THE INFORMATION CONTAINED IN THIS DRAWING IS THE SOLE PROPERTY OF HIGGINSON EQUIPMENT INC. ANY REPRODUCTION IN PART OR AS A WHOLE WITHOUT THE WRITTEN PERMISSION OF HIGGINSON EQUIPMENT INC. IS STRICTLY PROHIBITED

PART NUMBER: EA4C140D1N093NS	
DESCRIPTION: EA4C140D1N093NS	
SIZE B	DWG. NO.
SCALE: 1:5	WEIGHT: 18.26
SHEET 1 OF 1	

8 7 6 5 4 3 2 1