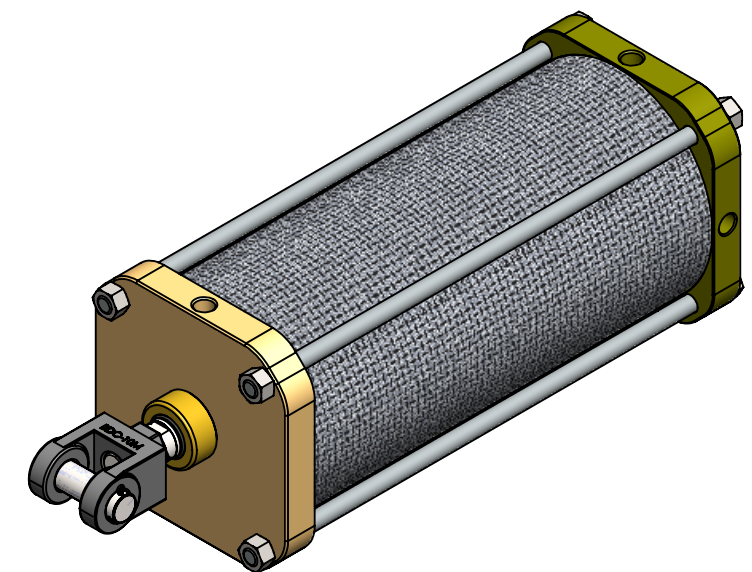
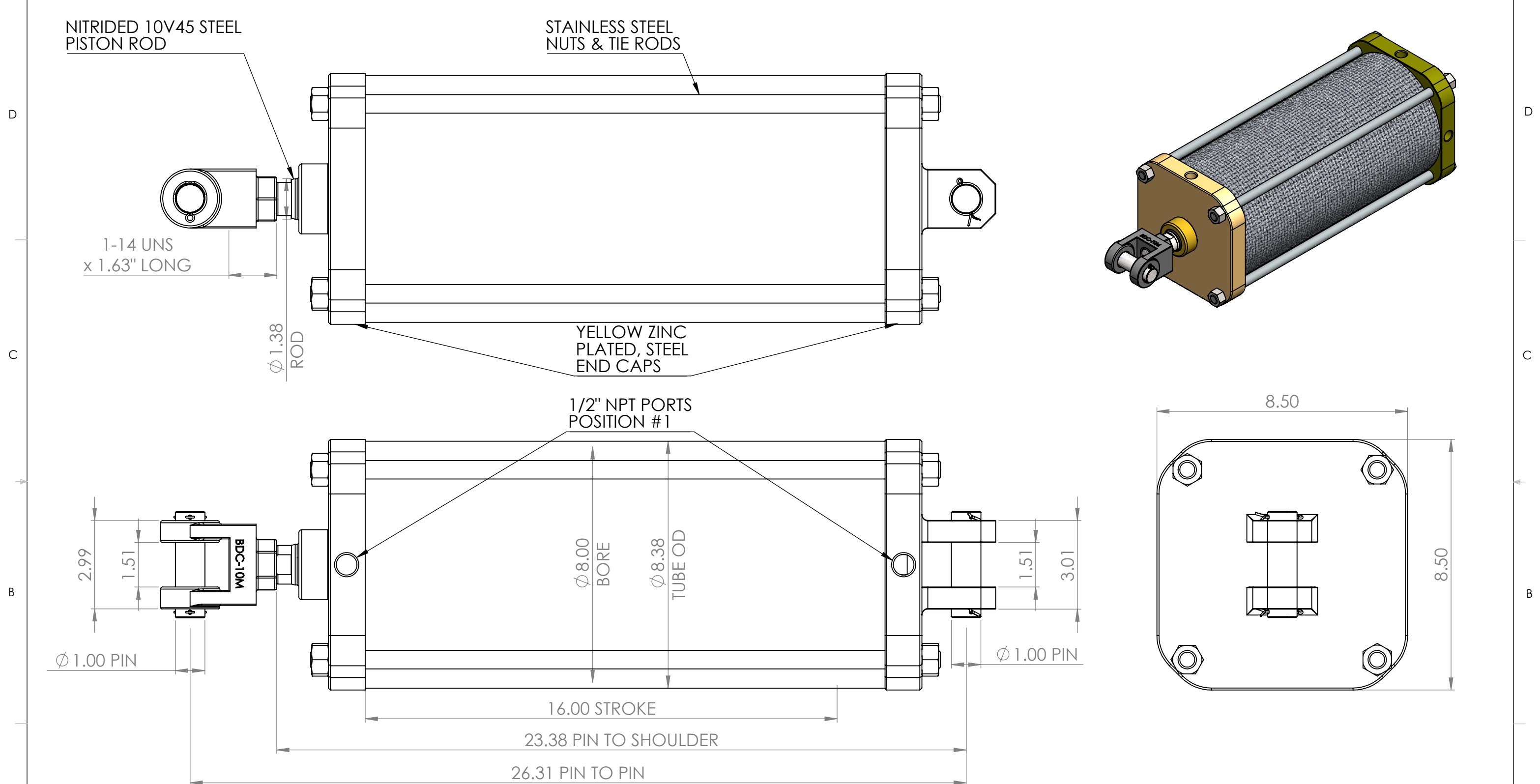


8 7 6 5 4 3 2 1



ECONOMAX AIR CYLINDER
 8" BORE X 16" STROKE WITH COMPOSITE TUBE
 1.3/8" NITRIDE ROD WITH 1"-14 MALE ROD THD
 WITH BDC-10M CLEVIS AND BDP-10H PIN
 1/2" NPT PORTS POS 1
 NO CUSHIONS
 MOUNT: CAP FIXED CLEVIS WITH 1" PIN BDP-10H

PIN TO PIN = 26.312"
 PIN TO SHOULDER = 23.375"

UNLESS OTHERWISE SPECIFIED:
 DIMENSIONS ARE IN INCHES
 REMOVE BURRS, BREAK SHARP EDGES R.010
 ANGULAR: MACH ± .5 DEGREES
 ONE PLACE DECIMAL ± .02
 TWO PLACE DECIMAL ± .01
 THREE PLACE DECIMAL ± .005
 MACHINED SURFACE FINISH

THIRD ANGLE PROJECTION

MATERIAL _____
 FINISH _____
 DO NOT SCALE DRAWING



PART NUMBER: EC80N1600F71SS-23.375	
DESCRIPTION: EC80N1600F71SS-23.375	
SIZE B	DWG. NO.
REV 0	
SCALE: 1:10	WEIGHT: 85.37
SHEET 1 OF 1	

8 7 6 5 4 3 2 1